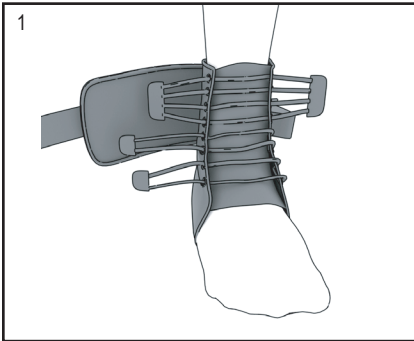


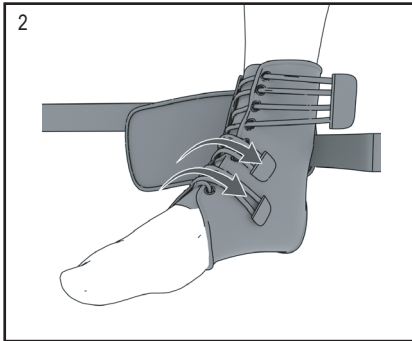
Warnings and Instructions: Review carefully, proper application is required

⚠ Warning: This device will not prevent or eliminate risk of injury. Do Not Overtighten. If swelling, pain, skin irritation, or an unusual reaction occurs, discontinue use immediately and consult your medical professional.

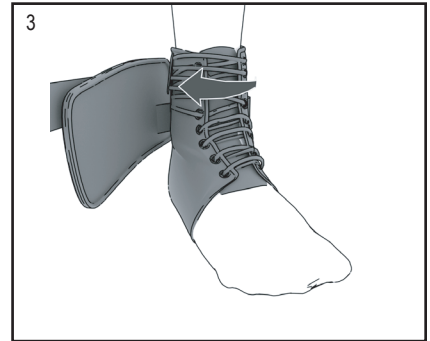
Care: Hand wash using mild soap. Rinse thoroughly. Air dry only. Do not tumble dry. For single patient use only.



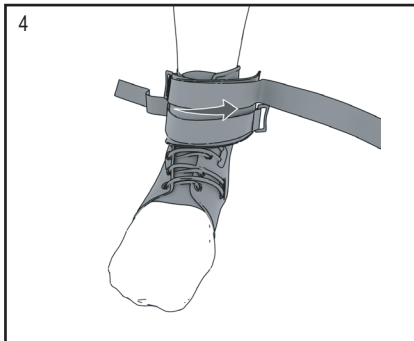
1. This brace is designed to be worn over a sock. Loosen all straps and laces and place foot in brace.



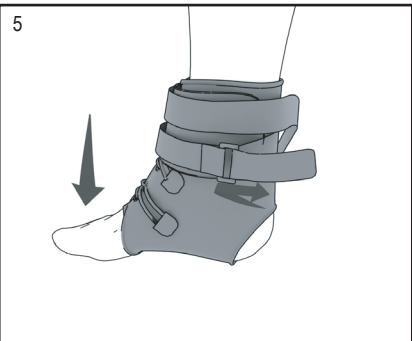
2. Position your heel snugly at the rear bottom corner of the brace. Pull and fasten two lower straps.



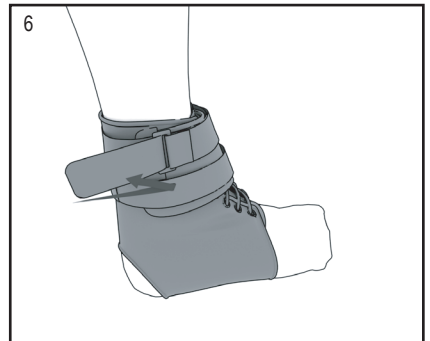
3. Fasten one end of the upper strap. Pull and fasten other end of upper strap.



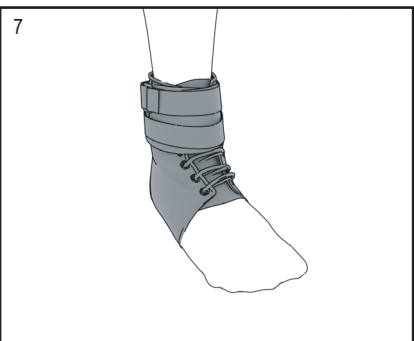
4. Wrap cuff around front of ankle.



5. Pull strap through loop lock, plantarflex the foot and fasten strap.



6. Keep foot in plantarflex position and pull other strap through loop lock and fasten.



7. Finished application.

Application Video

